

2004-1R2003

Rooftop Package
Commercial Air Conditioners 2020



Commercial Air Conditioner Division
Midea Group

Add.: Midea Headquarters Building, 6 Midea Avenue, Shunde, Foshan, Guangdong, China

Postal code: 528311

cac.midea.com www.midea-group.com



Note: Product specifications change from time to time as product improvements and developments are released and may vary from those in this document.

Rooftop Package



Midea CAC

Midea CAC is a key division of the Midea Group, a leading producer of consumer appliances and provider of heating, ventilation and air conditioning solutions. Midea CAC has continued with the tradition of innovation upon which it was founded, and emerged as a global leader in the HVAC industry. A strong drive for advancement has created a groundbreaking R&D department that has placed Midea CAC at the forefront of a competitive field. Through these independent efforts and joint cooperation with other global enterprises, Midea has supplied thousands of innovative solutions to customers worldwide.

There are four production bases: Shunde, Chongqing, Hefei and Italy.

MCAC Shunde: 38 product lines focusing on VRF, Split Products, Heat Pump Water Heaters, and AHU/FCU.

MCAC Chongqing: 14 product lines focusing on Water Cooled Centrifugal/Screw/Scroll Chillers, Air Cooled Screw/Scroll Chillers and AHU/FCU.

MCAC Hefei: 11 product lines focusing on VRF, Chillers and Heat Pump Water Heaters.

Clivet S.p.A: 50,000m² workshop in Feltre and Verona, covering products such as ELFO system, hydronic, WHLP, packaged, split and close control and so on.

2019-2020 >>> Update of rooftop package Desert and new DC inverter rooftop package will be launched

2017 >>> Launched the rooftop package Desert globally

2016 >>> Acquired 80% stake in Clivet

2015 >>> JV with Carrier in China in chiller field, BOSCH in VRF production and Siix in smart control

2014 >>> Launched the rooftop package ClimaCreator globally

2010 >>> Built the 3rd manufacturing base in Hefei

2008 >>> Launched the rooftop package ClimaMaster globally

2007 >>> Won the first Midea centrifugal chiller project overseas

2006 >>> Launched the first VSD centrifugal chiller

2004 >>> Acquired MGRE entered the chiller industry

2001 >>> Partnered with Copeland to develop the digital scroll VRF system

2000 >>> Developed the first inverter VRF With Toshiba

1999 >>> Entered the CAC field

MCAC Learning Academy



Objective

Midea CAC Learning Academy aims to provide training to the sales personnel as well as technical personnel in order to increase the utilization for your Midea CAC equipment. Once you have purchased equipment from Midea CAC, taking care of the equipment is topmost priority. Midea CAC Learning Academy offers training courses to learn firsthand from the manufacturer what it takes to get the best out of your Midea CAC product. The goal of Midea CAC Learning Academy is to provide product specific training, safe work procedures and expertise in carrying out the installation and maintenance of Midea CAC products as well as teaching the main selling points in order to help the sales people sell the Midea CAC products with ease.

Training Centers

Our world class training centers provide knowledge and skills necessary to efficiently deploy Midea CAC technologies. The training centers include dedicated laboratories to provide hands-on experiences with various systems, components and controls to refresh and enhance the skills of your sales, design and installation and service teams. Right now we operate our trainings from the below two locations:

1. Midea CAC Training Center

Address: Midea CAC Training Center, 2nd Floor, Building 6, Midea Global Innovation Center, Beijiao, Shunde, Foshan, China
Pin- 528311

The Midea CAC Training Center is situated 70 kilometers from Baiyun Guangzhou International Airport.

Products: VRF, M-Thermal

2. Chongqing Midea Training Center

Address: No. 15, Qiangwei Road, Nan'an District, Chongqing, China

Chongqing Midea Training Center is 35 kilometers from Chongqing International Airport.

Products: Centrifugal Chiller, Screw/Scroll Chiller and Terminals



VRF training



M-Thermal training



Chiller training

Global Technical Trainings

The training courses by Midea CAC Learning Academy are divided into the following two categories with different targeted audiences for each.

Design and Application Trainings: The design and application trainings for various products are basically for the sales personnel selling Midea CAC products in order to give them basic understanding about the main features. The trainings are conducted on a global level inviting sales engineers, technical engineers, consultants and project designers from different parts of the world.

Main Courses Offered:

1. Introduction to main Selling points and Features
2. Installation and Commissioning
3. Control Systems
4. Selection Software



Products: VRF, M-Thermal, Chillers and Terminals

After Sales- Service Trainings: These trainings are dedicated for the After Sales/ Service personnel in order for them to better carry out the installation, commissioning and maintenance of Midea CAC products. Technical person and engineers from different parts of the world are invited to take part in these trainings.

Main Courses Offered:

1. Product Electric Control and Refrigerant System
2. Control Systems
3. Installation and Commissioning Demonstration
4. Troubleshooting and Maintenance

Products: VRF, M-Thermal, Chillers and Terminals

Highly Skilled Trainers: The trainers for various courses by Midea CAC Learning Academy are expert people with vast experiences in their field. Most of them have a deep insight about the global HVAC market and help the attendees to better understand the CAC products.

Training Certificates:

The attendees for Global trainings are provided a training certificate highlighting the courses discussed in the training, signed by Mr. Jason Zhao, General Manager of Midea CAC Overseas Sales Company.

Registration:

You can contact your respective Midea contact point to provide you with the complete schedule about the global technical trainings as well as how to register for these trainings.



Introduction

Midea rooftop package air conditioners are designed and manufactured to offer all-in-one solutions for large halls, warehouses or other applications.

Midea rooftop package air conditioner are totally three series: Desert series, ClimaCreator series and ClimaMaster series.

Series		Power supply	Application	Function	Cooling capacity range
R410A Desert series		380-415V 3N~60Hz	Tropical(T3)	Cooling only	5RT-25RT
R410A ClimaCreator series		380 - 415V 3Ph~ 50Hz	T1	Heat pump	6.2RT- 30RT
			Tropical (T3)	Cooling only	4RT - 30RT
R410A ClimaMaster series		220V 3Ph~ 60Hz	Tropical (T3)	Cooling only	7.5RT - 25RT
			380 - 415V 3Ph~ 50Hz	T1	Heat pump
R410A ClimaMaster series		208 - 230V 1Ph~ 60Hz	T1	Cooling only	3RT - 5RT

Notes:

1. Product's cooling capacity as per specification.

Contents

» 07 General Features

» 14 Desert Series

- ▶ Product lineups
- ▶ Specifications
- ▶ Dimensions

» 24 ClimaCreator Series

- ▶ Product lineups
- ▶ Specifications
- ▶ Dimensions

» 38 ClimaMaster Series

- ▶ Product lineups
- ▶ Specifications
- ▶ Dimensions

» 42 Controllers

General Features



Convenient for unit selection

Wide cooling capacity range

- ❖ Wide cooling capacity range, from 36000Btu/h to 360000Btu/h.

Design flexibility

- ❖ Compact design.
- ❖ Flanges of air flow inlet and outlet as standard.
- ❖ It is suitable for installation on rooftop and ground.



ClimaMaster series

ClimaCreator series

Outstanding reliability

Durable construction

- ❖ Pre-painted exterior cabinet panels pass 500 hours Salt Spray Test for durability.
- ❖ Weather-resistant construction with capped steams and sloped top panels.
- ❖ G90 galvanized heavy gauge plate conforming to ASTM-A-653.



Customized anti-corrosion treatment

- ❖ The rooftop package air conditioners with special anti-corrosion treatment are suitable for seaside areas or the areas exposed to acidic substances.



- ❖ Special anti-corrosion treatment of heat exchanger provides 5 to 6 times greater resistance against acid rain and salt corrosion.
- ❖ All PCB parts in the unit are coated with double-side moisture proof paint. The outer side of electric box metal cover is spray-painted.
- ❖ All screws are anti-rust.
- ❖ Casings of the unit and motors are anti-rust.

Reliable scroll compressor

- ❖ Famous brand compressor: Copeland, Hitachi, Danfoss, etc.. More reliable.
- ❖ No complex internal suction and discharge valves for quieter operation and higher reliability.
- ❖ Compact, light-weight, and fewer moving parts design.



Multi-protection design

- ❖ Multiply measures to ensure units operate normally and reliably:
System current protection, High/low pressure protection, Temperature sensor protection, etc.
- ❖ Three-phase protector can be customized.



HP/LP switch



Temperature sensor

Easy to installation

Convenient for wires connection

- ❖ Removable access door on the electric box. It is easy to move the cover of the electric box.
- ❖ Only connect the wires of power supply, and no need to connect any signal wires.



Easily connect the drainage pipe

- ❖ Reserved external drainage port, quickly and accurately connect the rubber drainage pipe.



Easy to maintenance

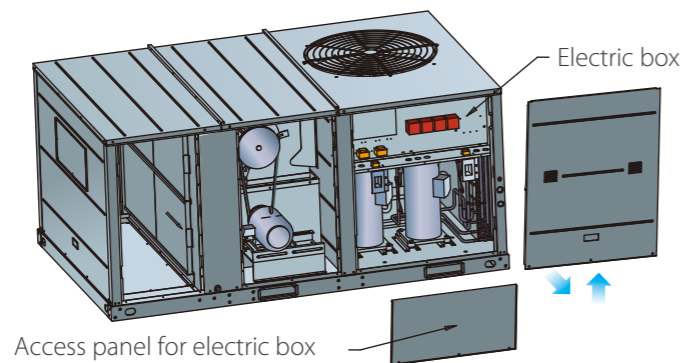
External pressure gauge ports



- ❖ The unit provides external pressure gauge ports for convenient and fast checking system pressure without removing the panel.

Easy access doors design

- ❖ Removable the access doors on the filter, fan motor, and electric box sections.
- ❖ Provide convenient access to system components for mainenance and service.

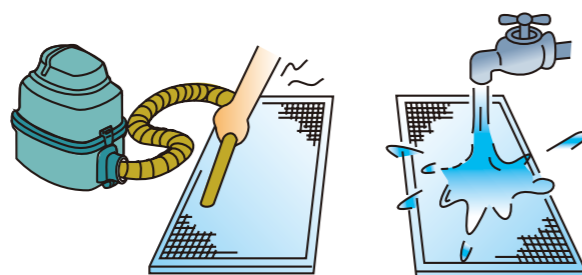


System self-diagnostic

- ❖ Press the 'Check' button, the LED display in PCB board of the unit will display the normal checking code.
- ❖ If the unit is in running with abnormal operation, the LED display will show the error code.



Washable filter



Flexible choice of accessories

Controllers

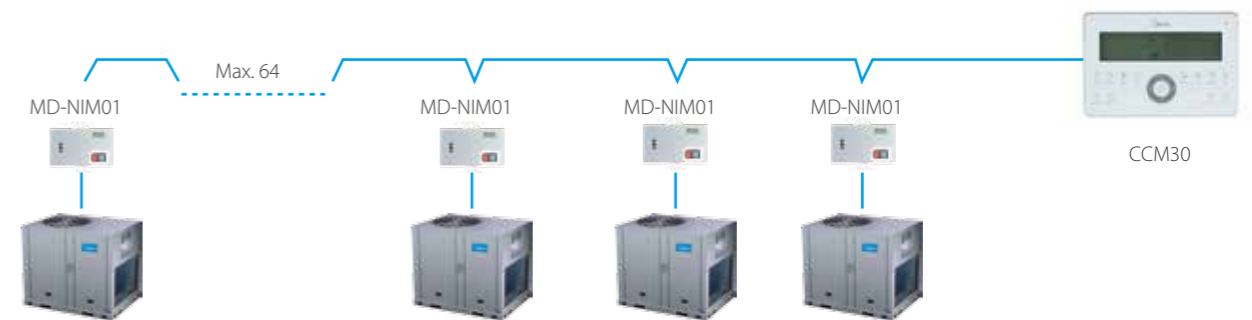
- ❖ Wired controller as standard.
- ❖ Besides standard wired controller, others can be chosen too.



- ❖ Other brand thermostat can be matched as optional solution.



- ❖ Centralized control function can be achieved through the centralized controller as optional. MD-NIM01 should be connected between rooftop package units and centralized controller. (If you need to customize the Centralized control function, please contact the related technical engineer of Midea)



Multi-accessories

Description	Desert series		ClimaCreator series		ClimaMaster series	
	Standard accessories	Optional accessories	Standard accessories	Optional accessories	Standard accessories	Optional accessories
Filter	√			√	√	
Outlet drainage	√		√		√	
Snap ring	√		√		√	
Drainage pipe	√		√		√	
Anti-corrosion fin		√		√		√
EHK (Electric Heater Kits)		√		√		
Network interface module		√		√		√
Three-phase protector		√		√		√

Mechanical specification

General

The unit airflow is convertible. All units are factory assembled, internally wired, fully charged refrigerant and 100% run tested to check cooling and heating operation, fan and blower rotation, and control sequence before leaving the factory. Internal wiring is colored and numbered for simplified identification. The unit is provided with an integral weather resistant control panel.

Casing

Unit casing is constructed of Zinc coated, heavy gauge, galvanized steel. Exterior surfaces are cleaned, G90 galvanized heavy gauge plate conforming to ASTM A653, followed by baked on electrostatic polyester dry powder coat paint on all external panels, completely weatherized for outdoor installation and propely reinforced and brazed. Salt Spray Test for steel sheet under 1000 hours, specially treated can be up to 2000 hours and even more. Cabinet construction allows for all maintenance. Service panels can be easily removed and reassembled. All panels and top covers indoor side of the unit are insulated with 16mm, foam-faced, closed-cell insulation. The unit has provisions for forklift and crane lifting, with forklift capabilities on four sides of the unit.

Compressors

All units have direct-drive, hermetic, scroll type compressors with centrifugal type oil pump. Motor is suction gas-cooled and has a voltage utilization range of plus or minus 10 percent of unit nameplate voltage. Internal overloads are provided with the scroll compressors.

The compressors, incorporating a built-in muffler, are mounted on spring within a heavy gauge steel housing to give a low noise level.

The unit contains the best compressor technology available to achieve the highest possible performance. Dual compressors are outstanding for humidity control, light load cooling conditions and system back-up applicaitons.

Controls

The unit is completely factory-wired with necessary controls and terminal block for power wiring. The unit provides an external location for mounting a fused disconnect device.

Microprocessor controls provide for all 24V control functions. The precision control makes all heating, cooling, or ventilating decisions in response to electronic signals from sensors measuring indoor and outdoor temperatures.

The control maintains accurate temperature control, minimizes drift from set point, and provides better building comfort. A centralized micro-processor provides a higher level of machine protection.

Coils

Internally finned, copper tubes mechanically bonded to a configured hydrophilic aluminum fin is standard. Coils are leak tested under 3100KPa (450 psig) at the factory to ensure the pressure integrity.

Electronic thermostats







General information: A dedicated electronic thermostat is supplied with unit controls as standard. The thermostat normally displays room temperature and mode of operation. It also allows to select continuous fan operation, or has the fan on intermittent operation with the equipment. Finally, it displays the status of unit, thus providing maximum information for the user.



Desert Series

Product lineups

Tropical(T3) Application,Cooling Only Type

Nominal ton*		5	6.25	7.5	10	12.5	15	20	25
380-415V, 3Ph~.60Hz	Side-discharge 	●							
	Side-discharge 		●	●					
	Side-discharge 				●	●	●		
	Side-discharge 							●	●
380-415V, 3Ph~.50Hz	Side-discharge 	●							
	Side-discharge 		●	●					

- Notes:
- * Nominal ton only for reference.
 - means cooling type product.
 - Cooling or heating capacity as per specifications.

Design flexibility

- ❖ Flanges of air flow inlet and outlet as standard.
- ❖ The static pressure of airflow outlet can be reached to Max. 500Pa. (Except 5 ton, customized)
- ❖ EHK (Electric heater kit) can be customized.
- ❖ Washable nylon filter as standard, metal filter as optional.
- ❖ Adjustable pulley as standard. (Except 5 ton)

Easy to installation and maintenance

- ❖ Convenient for wires and drainage pipe connection.
- ❖ Reserved system pressure gauge ports.

Flexible choice of controller

- ❖ Thermostat(5V) as standard, carrier communication, two-way communication. Other thermostat with 24V signal as optional.
- ❖ Centralized controller + Interface as optional.

Specifications

Tropical (T3) application, 380-415V-3Ph~60Hz



Nominal ton*		5	6.25	10	12.5	15	
Model		MRCT-050CWN1-Y(D)	MRCT-062CWN1-Y(D)	MRCT-100CWN1-Y(D)	MRCT-125CWN1-Y(D)	MRCT-150CWN1-Y(D)	
Cooling ¹	Capacity	Btu/h	58,500	75,000	124,000	156,000	166,000
		kW	17.1	22	36.3	45.7	48.4
	Power Input	W	5,220	6,680	11,071	14,180	15,100
Cooling ²	Cooling Capacity	Btu/h	51,000	64,000	107,000	134,000	140,000
		kW	14.9	18.8	31.4	39.3	41
	Power Input	W	6,360	8,100	13,300	17,100	17,500
Optional EHK ³	Power Input	\	7.5kW (EHK-7.5A-5T)	10kW (EHK-10A-6.25T)	20kW (EHK-20A-10/12.5T)	20kW (EHK-20A-10/12.5T)	20kW (EHK-20A-10/12.5T)
	Power Input	\	10kW (EHK-10A-5T)	14kW (EHK-14A-6.25T)	24kW (EHK-24A-10T)	28kW (EHK-28A-12.5T)	28kW (EHK-28A-12.5T)
Max. input consumption (Standard)		W	7,721	9,400	17,200	21,800	22,160
Max. input consumption (High static pressure)		W	7,721	10,900	18,750	23,650	24,260
Max. circuit ampacity		A	24	30	53	63	63
Max. overcurrent protection		A	25	30	60	70	70
Performance (Standard)	Indoor fan air flow	CFM	2,000	2,200	3,800	4,200	4,700
	Outdoor fan air flow	CFM	6,500	7,640	14,750	11,190	12,410
	ESP	Pa	50 (0 - 225)	60 (0 - 125)	700 (0 - 200)	90 (0 - 225)	90(0-200)
	EER ¹	Btu/h.W	11.2	11.2	11.2	11	11
	EER ²	Btu/h.W	8	7.8	8	7.9	8
Performance(High static pressure)	Indoor fan air flow	CFM	2,000 @50Pa	2,200 @60Pa	3,800 @70Pa	4,200 @90Pa	4700@90Pa
	Outdoor fan air flow	CFM	6,500	7,640	14,750	11,190	12,410
	ESP	Pa	0 - 300	250 - 500	250 - 500	200 - 500	200-500
	EER ¹	/	11.2	11.2	11.2	11	11
	EER ²	/	8	7.8	8	7.9	8
Compressor	Type/Quantity		Scroll/1	Scroll/1	Scroll/2	Scroll/2	Scroll/2
	Brand		Copeland	Danfoss	Copeland	Danfoss	Danfoss
Indoor fan	Type/Drive type		Centrifugal/Direct	Centrifugal/Belt	Centrifugal/Belt	Centrifugal/Belt	Centrifugal/Belt drives
Outdoor fan	Type/Drive type		Axial/Direct	Axial/Direct	Axial/Direct	Axial/Direct	Axial/Direct
Wired controller			KJR-29B/BK-E	KJR-29B/BK-E	KJR-29B/BK-E	KJR-29B/BK-E	KJR-29B/BK-E
Centralized controller(Optional)			Yes	Yes	Yes	Yes	Yes
Ambient temperature		°C	10- 52	10- 52	10- 52	10- 52	10-52
Dimensions	Net (WxHxD)	mm	1,920x840x1,070	1,965x1,230x1,130	2,230x1,255x1,965	2,230x1,255x1,965	2230x1255x1965
	Packing (WxHxD)	mm	1,945x870x1,085	1,975x1,265x1,145	2,240x1,290x1,980	2,240x1,290x1,980	2240x1290x1980
Weight	Net / Gross	kg	230 / 234	360 / 390	615 / 650	660 / 695	660/715
	Quantity	\	1	2	3	3	3
Filter	Type	\	Nylon	Nylon	Nylon	Nylon	Nylon, washable
	Size	mm	495x410x12	(1,050x500x12) x2	(1,040x575x12) x3	(1,040x575x12) x3	(1040x575x12)x3
		inch	19-1/2 x 16-1/8 x 1/2	(44-3/8 x 19-3/4 x 1/2) x2	(41 x 22-5/8 x 1/2) x3	(41 x 22-5/8 x 1/2) x3	(41x22-5/8x1/2)x3

- Notes:
- Cooling capacity test condition (1): Outdoor ambient temperature: 35°C, indoor temperature 26.7°C DB / 19.4°C WB; Cooling capacity test condition(2): Outdoor ambient temperature: 46°C , indoor temperature: 29°C DB/19°C WB.;
 - Units are suitable for operation to ±20% of nominal CFM;
 - Sound values are measured in a semi-anechoic room, at a position 1 meter in front of the unit and (1 meter+Height of unit)/2 above the floor.
 - Specifications are subject to change without prior notice for product improvement.
 - * Nominal ton only for reference.
 - Cooling or heating capacity as per specifications.
 - EHK means Electric Heater Kit. Only one EHK can be optional to fix per unit.

Specifications

Tropical (T3) application, 380-415V-3Ph~60Hz

20&25RT



Nominal ton*			20	25	
Model			MRCT-200CWN1-Y(D)	MRCT-250CWN1-Y(D)	
Cooling ¹	Capacity	Btu/h	266000	282,000	
		KW	78	82.6	
Power Input	W		23,750	28,200	
Cooling ²	Capacity	Btu/h	232,000	248,000	
		KW	67.6	72.7	
Power Input	W		27,950	34,100	
Optional EHK	Power Input		28kW (EHK-28A-25T)	28kW (EHK-28A-25T)	
			36kW (EHK-36A-25T)	36kW (EHK-36A-25T)	
Max. input consumption (Standard)	W		33,530	40,500	
Max. input consumption (High static pressure)	W		36,280	43,850	
Max. circuit ampacity	A		81.9	81.9	
Max. overcurrent protection	A		90	90	
Performance (Standard)	Indoor fan air flow	CFM	7,400	10,000	
	Outdoor fan air flow	CFM	21,200	21,200	
	ESP	Pa	110(0-300)	110(0-300)	
	EER ¹	Btu/h.W	11.2	10	
	EER ²	Btu/h.W	8.3	7.2	
Performance(High static pressure)	Indoor fan air flow	CFM	7400@110Pa	10,000@110Pa	
	Outdoor fan air flow	CFM	21,200	21,200	
	ESP	Pa	200-500	200-500	
	EER ¹	Btu/h.W	11.2	10	
	EER ²	Btu/h.W	8.3	7.2	
Compressor	Type/Quantity		Scroll/2	Scroll/2	
	Brand		Danfoss	Danfoss	
Indoor fan	Type/Drive type		Centrifugal/Belt drives	Centrifugal/Belt	
Outdoor fan	Type/Drive type		Axial/Direct	Axial/Direct	
Wired controller			KJR-29B/BK-E	KJR-29B/BK-E	
Centralized controller(Optional)			Yes	Yes	
Ambient temperature			10-52	10-52	
Dimensions	Net (WxHxD)	mm	2885x1655x2230	2,885x1,655x2,230	
	Packing (WxHxD)	mm	2895x1690x2240	2,895x1,690x2,230	
Weight	Net / Gross	kg	1,177/1,257	1,180 / 1,260	
Filter	Quantity		3	3	
	Type		Nylon, washable	Nylon	
	Size	mm		(1420x640x12.5)×3	(1,420x640x12.5) ×3
		inch		(55-7/8x25-1/4x1/2)×3	(55-7/8 × 25-1/4 × 1/2) ×3

Notes:

- Cooling capacity test condition (1): Outdoor ambient temperature: 35°C, indoor temperature 26.7°C DB / 19.4°C WB; Cooling capacity test condition(2): Outdoor ambient temperature: 46°C , indoor temperature: 29°C DB/19°C WB;
- Units are suitable for operation to ±20% of nominal CFM;
- Sound values are measured in a semi-anechoic room, at a position 1 meter in front of the unit and (1 meter+Height of unit)/2 above the floor.
- Specifications are subject to change without prior notice for product improvement.
- * Nominal ton only for reference.
- Cooling or heating capacity as per specifications.
- EHK means Electric Heater Kit. Only one EHK can be optional to fix per unit.

Specifications

Tropical (T3) application, 380-415V-3Ph~50Hz

5RT



6.25&7.5RT



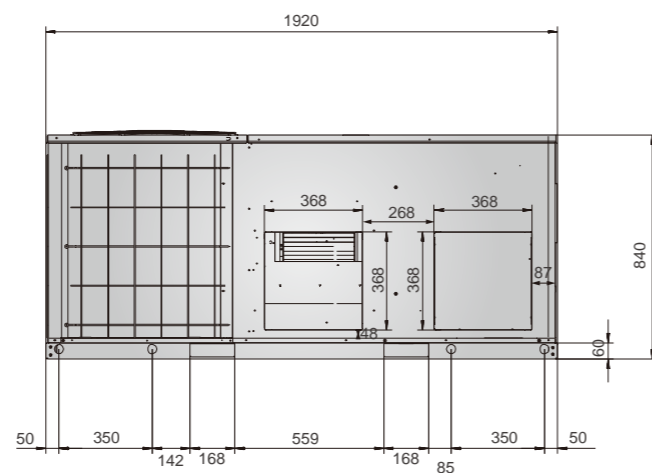
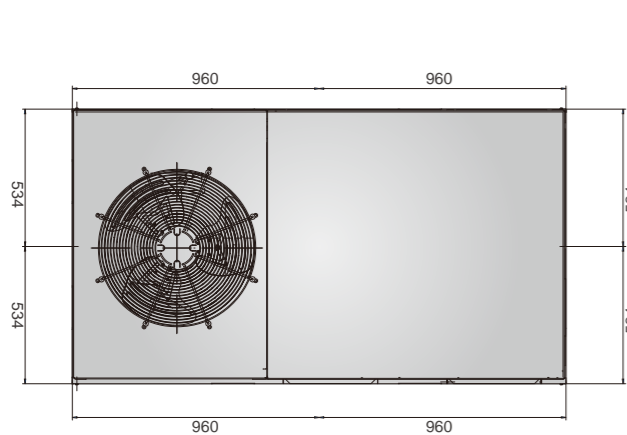
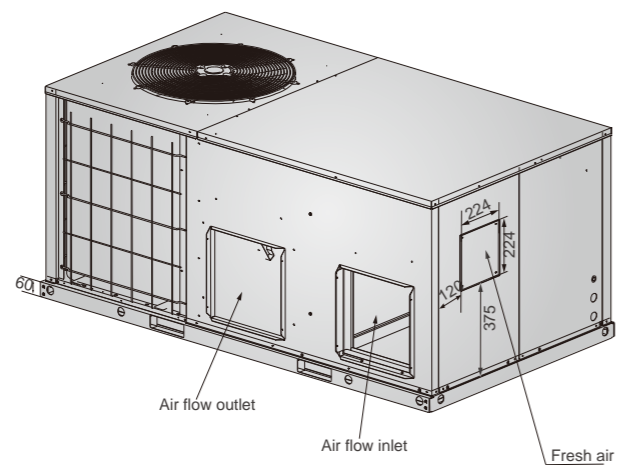
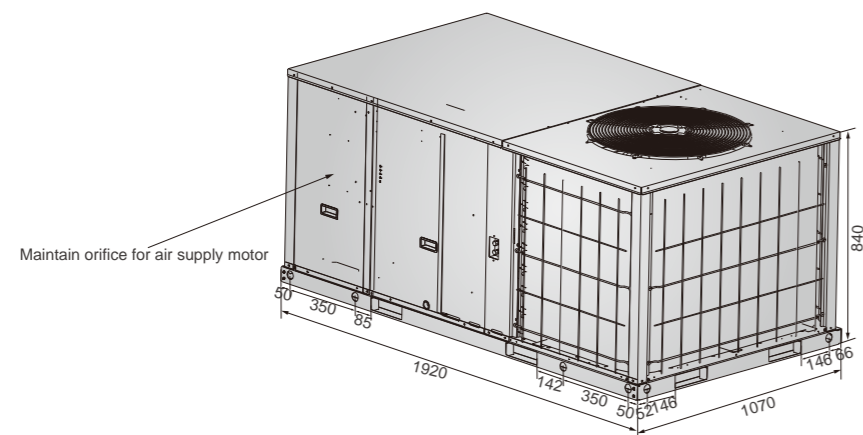
Nominal ton			5	6.25	7.5
Model			MRCT-050CWN1-R(F)	MRCT-062CWN1-R(F)	MRCT-075CWN1-R(F)
Cooling ¹	Capacity	Btu/h	59000	71000	83400
		KW	17287	20803	24436
Power Input	W		4836	5820	6836
Cooling ²	Capacity	Btu/h	52000	60500	72800
		KW	15236	17726	21330
Power Input	W		5980	7012	8414
Max. input consumption (Standard)	W		6800	8100	9800
Max. input consumption (High static pressure)	W		7480	8910	10780
Max. circuit ampacity	A		17	21	23
Max. overcurrent protection	A		25	30	30
Performance (Standard)	Indoor fan air flow	CFM	1750	2200	2600
	Outdoor fan air flow	CFM	4480	5260	6590
	ESP	Pa	70	60	60
	EER ¹	Btu/h.W	12.2	12.2	12.2
	EER ²	Btu/h.W	8.7	8.63	8.65
Performance(High static pressure)	Indoor fan air flow	CFM	1750	2200	2600
	Outdoor fan air flow	CFM	4480	5260	6590
	ESP	Pa	300	500	500
	EER ¹	Btu/h.W	12.2	12.2	12.2
	EER ²	Btu/h.W	8.7	8.63	8.65
Compressor	Type/Quantity		Scroll/1	Scroll/1	Scroll/1
	Brand		Copeland	Copeland	Danfoss
Indoor fan	Type/Drive type		Centrifugal/Direct	Centrifugal/Direct	Centrifugal/Belt drives
Outdoor fan	Type/Drive type		Axial/Direct	Axial/Direct	Axial/Direct
Wired controller			KJR-29B/BK-E	KJR-29B/BK-E	KJR-29B/BK-E
Centralized controller(Optional)			Yes	Yes	Yes
Ambient temperature			10-52	10-52	10-52
Dimensions	Net (WxHxD)	mm	1306x1140x1310	1230x1130x1965	1230x1130x1965
	Packing (WxHxD)	mm	1330x1154x1329	1265x1145x1975	1265x1145x1975
Weight	Net / Gross	kg	255/270	330/350	370/390

Notes:

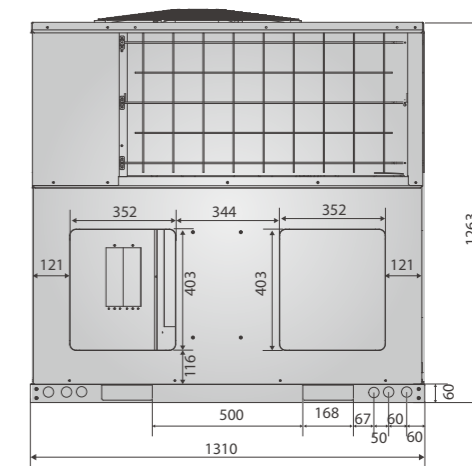
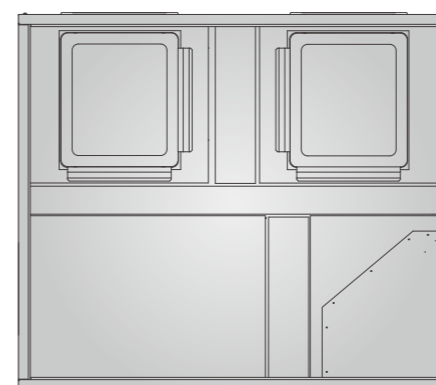
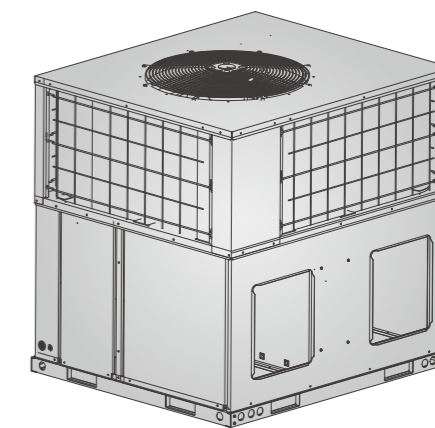
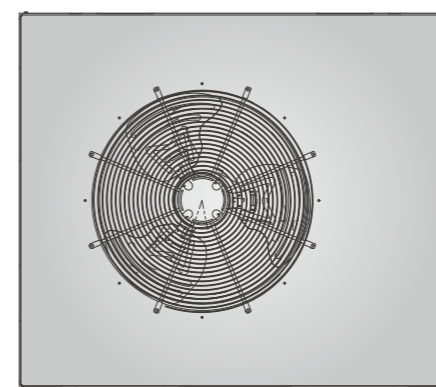
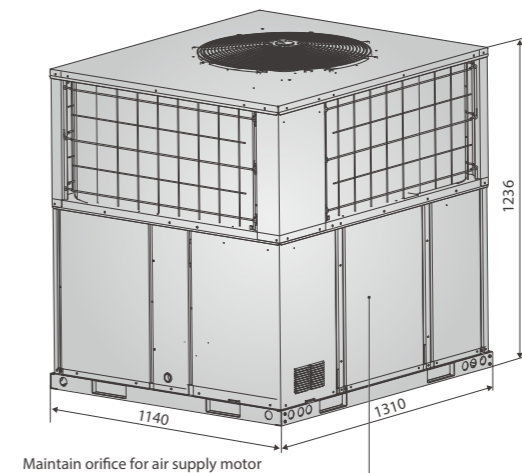
- Cooling capacity test condition (1): Outdoor ambient temperature: 35°C, indoor temperature 26.7°C DB / 19.4°C WB; Cooling capacity test condition(2): Outdoor ambient temperature: 48°C , indoor temperature: 26.6°C DB/19.4°C WB;
- Units are suitable for operation to ±20% of nominal CFM;
- Sound values are measured in a semi-anechoic room, at a position 1 meter in front of the unit and (1 meter+Height of unit)/2 above the floor.
- Specifications are subject to change without prior notice for product improvement.
- * Nominal ton only for reference.
- Cooling or heating capacity as per specifications.

Dimensions

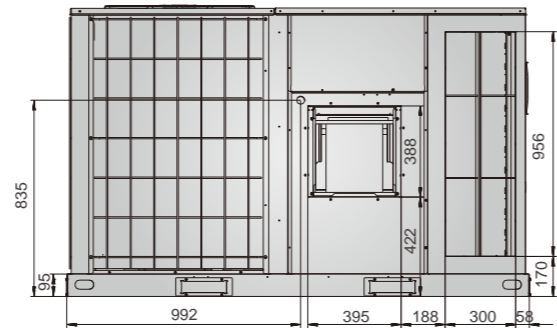
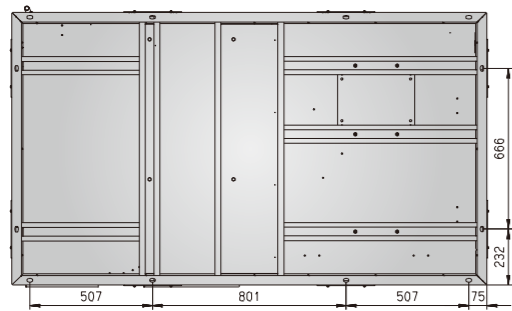
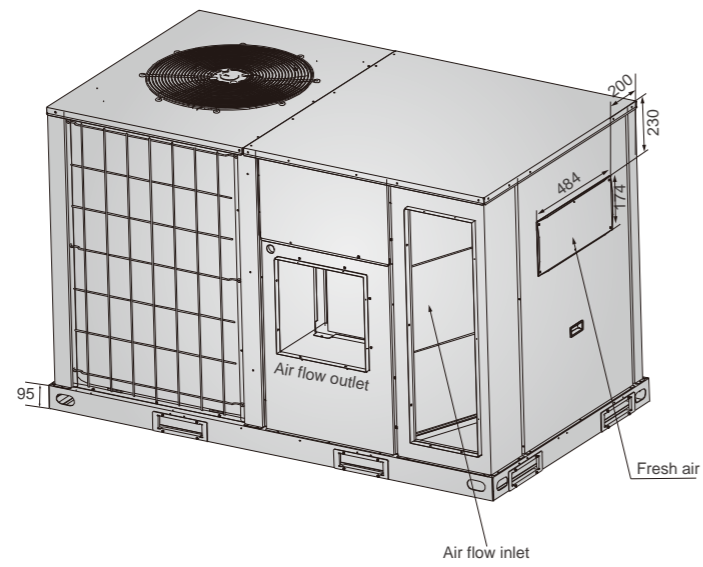
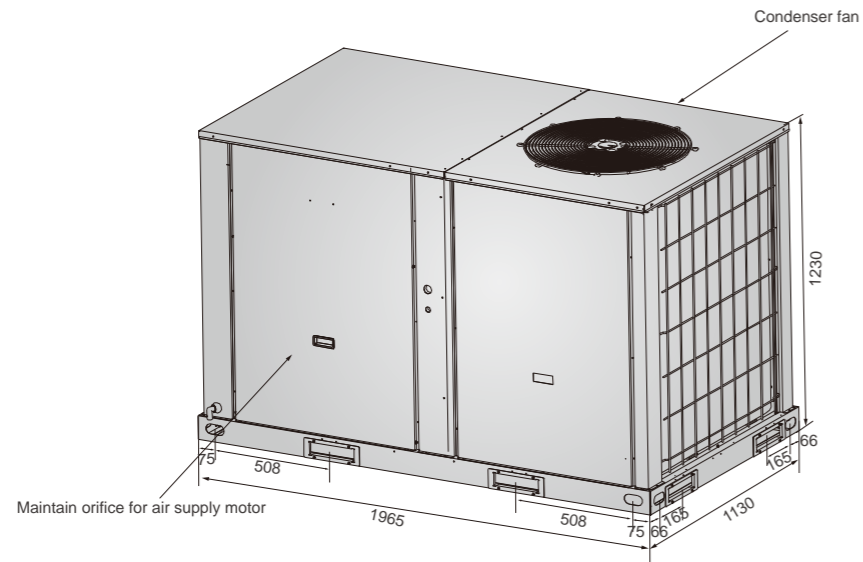
Desert, Tropical (T3) application, 380-415V-3Ph~ 60Hz
MRCT-050CWN1-Y(D)
(Units:mm)



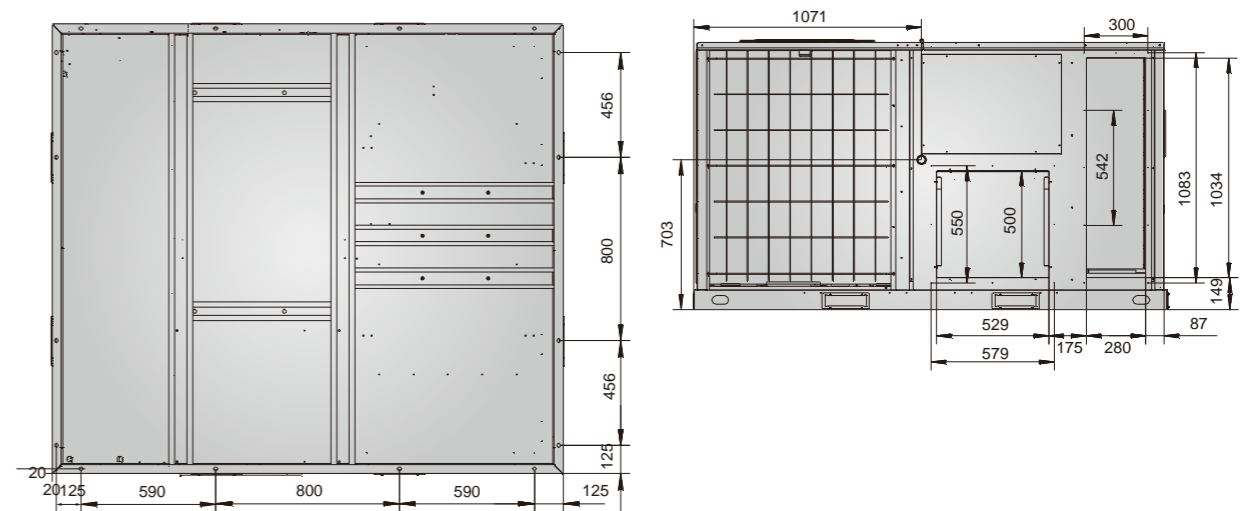
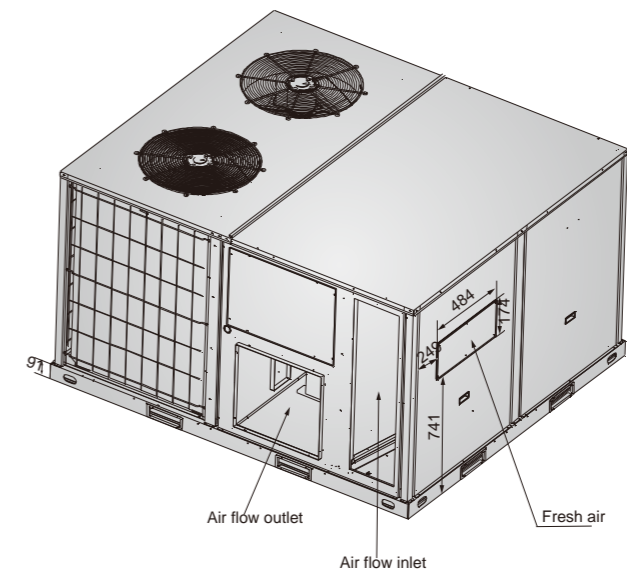
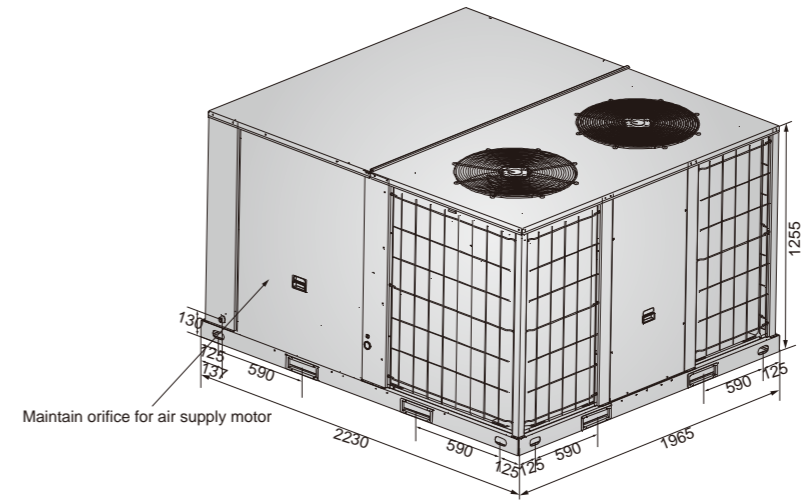
Desert, Tropical (T3) application, 380-415V-3Ph~ 50Hz:
MRCT-050CWN1-R(F)
(Units:mm)



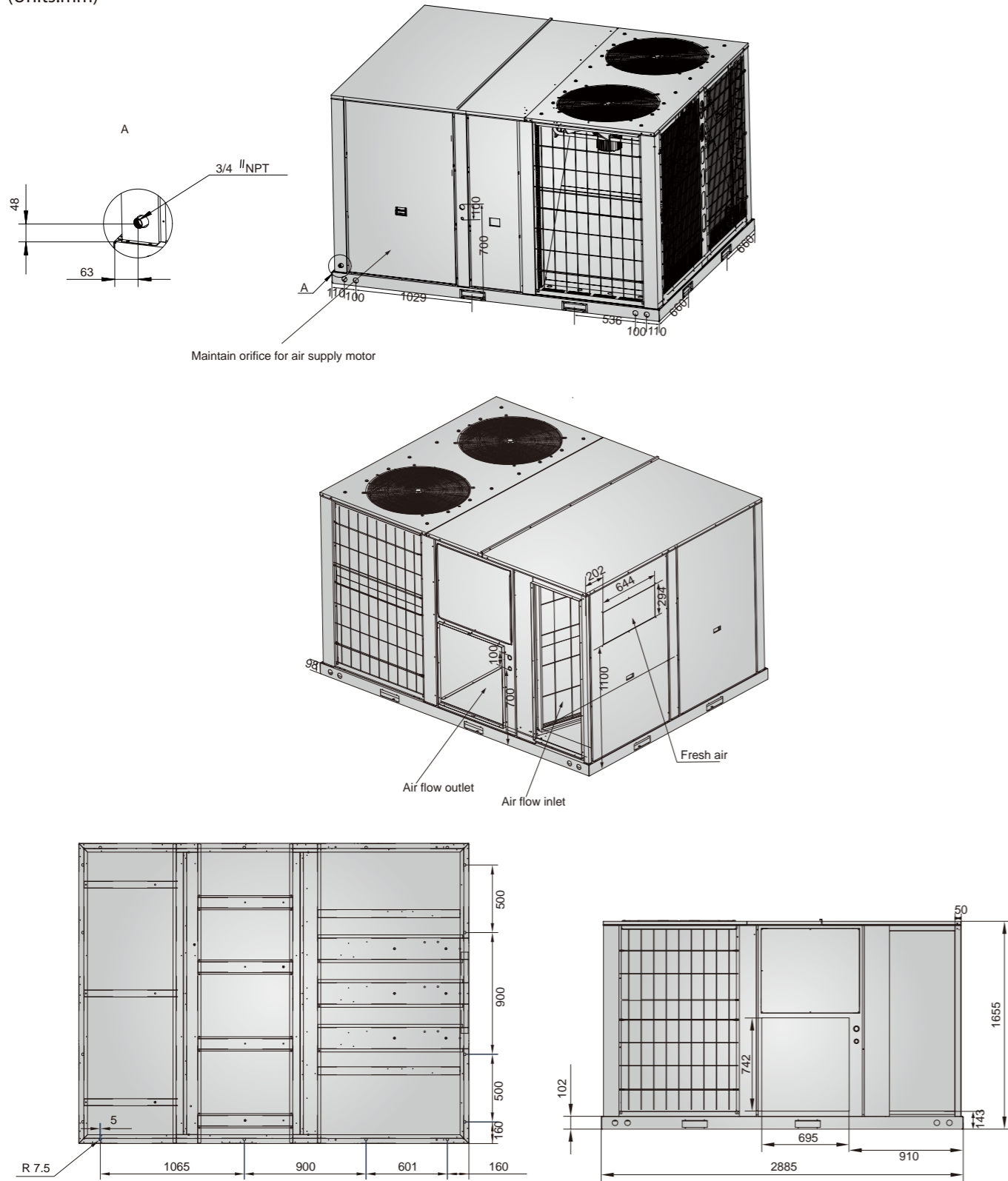
Desert, Tropical (T3) application, 380-415V-3Ph~ 60Hz: MRCT-062CWN1-Y(D)
 380-415V-3Ph~ 50Hz: MRCT-062CWN1-R(F),MRCT-075CWN1-R(F)
 (Units:mm)



Desert, Tropical (T3) application, 380-415V-3Ph~ 60Hz
 MRCT-100CWN1-Y(D),MRCT-125CWN1-Y(D) MRCT-150CWN1-Y(D)
 (Units:mm)



Desert, Tropical (T3) application, 380-415V-3Ph~ 60Hz
MRCT-200CWN1-Y(D) MRCT-250CWN1-Y(D)
(Units:mm)



ClimaCreator Series

Product lineups

Nominal ton*		4	5	6.2	7.5	8.5	10	12.5	15	17.5	20	25	30
T1 50Hz Applications				●	●								
						●	●						
								●	●				
										●	●		
												●	●
Tropical (T3) 50Hz Applications		●	●	●	●								
						●	●						
								●	●				
										●	●		
												●	●
Tropical (T3) 60Hz Applications					●								
						●							
								●					
										●			
												●	

- Notes:
- * Nominal ton only for reference.
 - means cooling type product; ● means heat pump type product.
 - Cooling or heating capacity as per specifications.

Specifications

T1 application, 380-415V 3Ph~ 50Hz



Nominal ton*			6.2	7.5	8.5	10	12.5
Model			MRC-062HWN1-R(C)	MRC-075HWN1-R(C)	MRC-085HWN1-R(C)	MRC-100HWN1-R(C)	MRC-125HWN1-R(C)
Cooling	Capacity	Btu/h	75,000	89,000	103,000	120,000	150,000
		kW	22.0	26.0	30.0	35.0	44.0
	Input	kW	6.6	7.9	9.3	10.7	13.3
	EER	Btu/h.W	11.4	11.3	11.1	11.2	11.3
Heating	Capacity	Btu/h	89,000	103,000	120,000	137,000	154,000
		kW	26.0	30.0	35.0	40.0	45.0
	Input	kW	7.5	8.9	10.6	11.9	13.2
	COP	Btu/h.W	11.9	11.6	11.3	11.5	11.7
Air flow	Indoor side	CFM	2,800	2,830	3,500	3,900	5,500
External static pressure	Pa	Default: 80; 0 - 250	Default: 80; 0 - 250	Default: 80; 0 - 200	Default: 90; 0 - 250	Default: 110; 0 - 275	
Max. power input	kW	8,6	12	13,6	16	19,7	
Max. current	A	18.3	24.8	26.5	28.8	38.2	
Compressor	Type / Quantity		Scroll / 1	Scroll / 1	Scroll / 2	Scroll / 2	Scroll / 2
	Brand		Copeland	Danfoss	Hitachi	Hitachi	Copeland
Indoor fan	Type / Drive type		Centrifugal / Direct	Centrifugal / Direct	Centrifugal / Belt	Centrifugal / Belt	Centrifugal / Belt
Outdoor fan	Type / Drive type		Axial / Direct	Axial / Direct	Axial / Direct	Axial / Direct	Axial / Direct
Wired controller			KJR-25B	KJR-25B	KJR-12B/dP(T)-E	KJR-12B/dP(T)-E	KJR-12B/dP(T)-E
Centralized controller (Optional)			Yes	Yes	Yes	Yes	Yes
Sound pressure level	dB(A)		71.0	72.1	71.5	71.5	71.8
Ambient temperature	Cooling		10°C - 46°C	10°C - 46°C	10°C - 46°C	10°C - 46°C	10°C - 46°C
	Heating		-9°C - 24°C	-9°C - 24°C	-9°C - 24°C	-9°C - 24°C	-9°C - 24°C
Dimension	Net (WxHxD)	mm	1,475x840x1,130	1,475x840x1,130	1,483x1,138x1,231	1,483x1,138x1,231	1,965x1,230x1,130
	Packing (WxHxD)	mm	1,495x870x1,150	1,495x870x1,150	1,500x1,255x1,155	1,500x1,255x1,155	1,995x1,255x1,160
Weight	Net / Gross	kg	229/234	244/249	340/350	343/354	451/471

- Notes:
- Cooling capacity test condition (1): Outdoor ambient temperature: 35°C, indoor temperature 26.7°C DB / 19.4°C WB; Heating capacity test condition (2): Outdoor ambient temperature: 7°C DB / 6°C WB, indoor temperature 20°C DB / 15°C WB;
 - Units are suitable for operation to ±20% of nominal CFM;
 - Sound values are measured in a semi-anechoic room, at a position 1 meter in front of the unit and (1 meter+Height of unit)/2 above the floor.
 - Specifications are subject to change without prior notice for product improvement.
 - * Nominal ton only for reference.
 - Cooling or heating capacity as per specifications.

Specifications

T1 application, 380-415V 3Ph~ 50Hz

15RT



17.5RT & 20RT



25RT & 30RT



Nominal ton*			15	17.5	20	25	30
Model			MRC-150HWN1-R(C)	MRC-175HWN1-R(C)	MRC-200HWN1-R(C)	MRC-250HWN1-R(C)	MRC-300HWN1-R(C)
Cooling	Capacity	Btu/h	180,000	208,000	240,000	300,000	335,000
		kW	53.0	61.0	70.0	88.0	98.0
	Input	kW	16.7	19.1	22.6	28.9	32.8
	EER	Btu/h.W	10.8	10.9	10.6	10.4	10.2
Heating	Capacity	Btu/h	191,000	218,000	260,000	330,000	380,000
		kW	56.0	64.0	76.2	97.0	111.5
	Input	kW	17.2	19.5	23.6	30.3	36.5
	COP	Btu/h.W	11.1	11.2	11.0	10.9	10.4
Air flow	Indoor side	CFM	7,000	7,600	8,800	10,000	11,200
External static pressure	Pa	Default: 110; 0 - 325	Default: 110; 0 - 250	Default: 120; 0 - 375	Default: 130; 0 - 350	Default: 270; 25 - 400	
Max. power input	kW	25.0	27.0	32.5	38.5	49.5	
Max. current	A	46.1	55.4	63.2	74.3	81.7	
Compressor	Type / Quantity		Scroll / 2	Scroll / 2	Scroll / 2	Scroll / 2	Scroll / 2
	Brand		Copeland	Copeland	Copeland	Danfoss	Danfoss
Indoor fan	Type / Drive type		Centrifugal / Belt	Centrifugal / Belt	Centrifugal / Belt	Centrifugal / Belt	Centrifugal / Belt
Outdoor fan	Type / Drive type		Axial / Direct	Axial / Direct	Axial / Direct	Axial / Direct	Axial / Direct
Wired controller			KJR-12B/dP(T)-E	KJR-12B/dP(T)-E	KJR-12B/dP(T)-E	KJR-12B/dP(T)-E	KJR-12B/dP(T)-E
Centralized controller (Optional)			Yes	Yes	Yes	Yes	Yes
Sound pressure level	dB(A)		76.9	76.0	75.3	76.8	77.9
Ambient temperature	Cooling		10°C - 46°C	10°C - 46°C	10°C - 46°C	10°C - 46°C	10°C - 46°C
	Heating		-9°C - 24°C	-9°C - 24°C	-9°C - 24°C	-9°C - 24°C	-9°C - 24°C
Dimension	Net (WxHxD)	mm	1,965x1,230x1,130	1,670x1,247x2,192	1,670x1,247x2,192	2,320x1,245x2,220	2,320x1,245x2,220
	Packing (WxHxD)	mm	1,995x1,255x1,160	1,695x1,284x2,212	1,695x1,284x2,212	2,330x1,275x2,230	2,330x1,275x2,230
Weight	Net / Gross	kg	492/512	615/645	690/720	940/970	970/1000

Notes:

- Cooling capacity test condition (1): Outdoor ambient temperature: 35°C, indoor temperature 26.7°C DB / 19.4°C WB;
Heating capacity test condition (2): Outdoor ambient temperature: 7°C DB / 6°C WB, indoor temperature 20°C DB / 15°C WB;
- Units are suitable for operation to ±20% of nominal CFM;
- Sound values are measured in a semi-anechoic room, at a position 1 meter in front of the unit and (1 meter+Height of unit)/2 above the floor.
- Specifications are subject to change without prior notice for product improvement.
- * Nominal ton only for reference.
- Cooling or heating capacity as per specifications.

Specifications

Tropical (T3) application, 380-415V 3Ph~ 50Hz

4RT & 5RT



6.2RT & 7.5RT



8.5RT



Nominal ton*			4	5	6.2	7.5
Model			MRCT-48CWN1-R(C)	MRCT-60CWN1-R(C)	MRCT-062CWN1-R(C)	MRCT-075CWN1-R(C)
Cooling	Capacity (1)	Btu/h	48,000	58,000	75,000	89,000
		kW	14.1	17.0	22.0	26.0
	Input (1)	kW	4.1	5.0	6.6	7.9
	EER (1)	Btu/h.W	11.7	11.6	11.4	11.3
	Capacity (2)	Btu/h	39,000	47,900	61,400	69,600
		kW	11.4	14.0	18.0	20.4
Input (2)	kW	4.8	5.9	7.8	9.0	
EER (2)	Btu/h.W	8.1	8.1	7.9	7.8	
Air flow	Indoor side	CFM	1,750	2,000	2,800	2,830
External pressure level	Pa	Default: 75; 0 - 200	Default: 75; 0 - 200	Default: 80; 0 - 250	Default: 80; 0 - 250	
Max. power input	kW	6.2	7.4	9.0	13.6	
Max. current	A	12.4	15.5	19.3	27.2	
Compressor	Type / Quantity		Scroll / 1	Scroll / 1	Scroll / 1	Scroll / 1
	Brand		Copeland	Copeland	Copeland	Danfoss
Indoor fan	Type / Drive type		Centrifugal / Direct	Centrifugal / Direct	Centrifugal / Direct	Centrifugal / Direct
Outdoor fan	Type / Drive type		Axial / Direct	Axial / Direct	Axial / Direct	Axial / Direct
Wired controller			KJR-12B/dP(T)-E	KJR-12B/dP(T)-E	KJR-25B	KJR-25B
Centralized controller (Optional)			Yes	Yes	Yes	Yes
Sound pressure level	dB(A)		64.4	66.3	71.0	71.5
Ambient temperature			10°C - 52°C	10°C - 52°C	10°C - 52°C	10°C - 52°C
Dimension	Net (WxHxD)	mm	1,310x840x900	1,310x840x900	1,475x840x1,130	1,475x840x1,130
	Packing (WxHxD)	mm	1,340x865x935	1,340x865x935	1,495x870x1,150	1,495x870x1,150
Weight	Net / Gross	kg	167/170	180/183	223/228	231/236

Notes:

- Cooling capacity test condition (1): Outdoor ambient temperature: 35°C, indoor temperature 26.7°C DB / 19.4°C WB;
Cooling capacity test condition (2): Outdoor ambient temperature: 46.1°C, indoor temperature 26.7°C DB / 19.4°C WB;
- Units are suitable for operation to ±20% of nominal CFM;
- Sound values are measured in a semi-anechoic room, at a position 1 meter in front of the unit and (1 meter+Height of unit)/2 above the floor.
- Specifications are subject to change without prior notice for product improvement.
- * Nominal ton only for reference.
- Cooling or heating capacity as per specifications.

Specifications

Tropical (T3) application, 380-415V 3Ph~ 50Hz

8.5RT & 10RT



12.5RT



Nominal ton*			8.5	8.5	10	10	12.5
Model			MRCT-085CWN1-R(C)	MRCT-085WN1-R(C)	MRCT-100CWN1-R(C)	MRCT-100CWN1-R(D)	MRCT-125CWN1-R(C)
Cooling	Capacity (1)	Btu/h	102,000	102,000	120,000	120,000	150,000
		kW	30.0	30.0	35.0	35.0	44.0
	Input (1)	kW	9.2	9.2	10.7	10.7	13.3
	EER (1)	Btu/h.W	11.1	11.1	11.2	11.2	11.3
	Capacity (2)	Btu/h	80,700	80,700	100,200	100,200	125,400
		kW	23.7	23.7	29.4	29.4	36.8
	Input (2)	kW	10.3	10.3	12.6	12.6	16.1
EER (2)	Btu/h.W	7.9	7.9	8.0	8.0	7.8	
Air flow	Indoor side	CFM	3,500	3,500	4,100	4,100	5,500
External static pressure		Pa	Default: 80; 0 - 200	Default: 80; 0 - 200	Default: 90; 0 - 250	Default: 90; 0 - 250	Default: 110; 0 - 275
Max. power input		kW	14.8	14.8	18.0	18.0	21.0
Max. current		A	29.2	29.2	34.1	34.1	41.2
Compressor	Type / Quantity		Scroll / 2	Scroll / 1	Scroll / 2	Scroll / 1	Scroll / 2
	Brand		Hitachi	Copeland	Hitachi	Copeland	Copeland
Indoor fan	Type / Drive type		Centrifugal / Belt	Centrifugal / Belt	Centrifugal / Belt	Centrifugal / Belt	Centrifugal / Belt
Outdoor fan	Type / Drive type		Axial / Direct	Axial / Direct	Axial / Direct	Axial / Direct	Axial / Direct
Wired controller			KJR-12B/dP(T)-E	KJR-25B	KJR-12B/dP(T)-E	KJR-25B	KJR-12B/dP(T)-E
Centralized controller (Optional)			Yes	Yes	Yes	Yes	Yes
Sound pressure level		dB(A)	70.3	71.7	72.6	72.4	71.8
Ambient temperature			10°C - 52°C	10°C - 52°C	10°C - 52°C	10°C - 52°C	10°C - 52°C
Dimension	Net (WxHxD)	mm	1,483x1,231x1,138	1,483x1,231x1,138	1,483x1,231x1,138	1,483x1,231x1,138	1,965x1,230x1,130
	Packing (WxHxD)	mm	1,500x1,255x1,155	1,500x1,255x1,155	1,500x1,255x1,155	1,500x1,255x1,155	1,995x1,255x1,160
Weight	Net / Gross	kg	331/342	302/313	335/346	323/335	433/453

Notes:

- Cooling capacity test condition (1): Outdoor ambient temperature: 35°C, indoor temperature 26.7°C DB / 19.4°C WB;
Cooling capacity test condition (2): Outdoor ambient temperature: 46.1°C, indoor temperature 26.7°C DB / 19.4°C WB;
- Units are suitable for operation to $\pm 20\%$ of nominal CFM;
- Sound values are measured in a semi-anechoic room, at a position 1 meter in front of the unit and (1 meter+Height of unit)/2 above the floor.
- Specifications are subject to change without prior notice for product improvement.
- * Nominal ton only for reference.
- Cooling or heating capacity as per specifications.

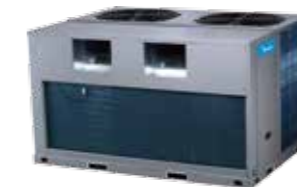
Specifications

Tropical (T3) application, 380-415V 3Ph~ 50Hz

15RT



17.5RT & 20RT



25RT & 30RT



Nominal ton*			15	17.5	20	25	30
Model			MRCT-150CWN1-R(C)	MRCT-175CWN1-R(C)	MRCT-200CWN1-R(C)	MRCT-250CWN1-R(C)	MRCT-300CWN1-R(C)
Cooling	Capacity (1)	Btu/h	180,000	208,000	240,000	300,000	360,000
		kW	53.0	61.0	70.0	87.0	105.0
	Input (1)	kW	16.7	19.1	22.6	28.0	34.3
	EER (1)	Btu/h.W	10.8	10.9	10.6	10.7	10.5
	Capacity (2)	Btu/h	146,000	181,100	199,200	251,700	336,300
		kW	42.8	53.1	58.4	73.8	98.6
	Input (2)	kW	18.7	22.6	25.1	32.0	41.8
EER (2)	Btu/h.W	7.8	8.0	7.9	7.9	8.0	
Air flow	Indoor side	CFM	7,000	7,600	8,800	10,000	12,000
External static pressure		Pa	Default: 110; 0 - 325	Default: 110; 0 - 250	Default: 120; 0 - 375	Default: 130; 0 - 350	Default: 270; 0 - 400
Max. power input		kW	25.0	26.5	33.0	40.5	49.5
Max. current		A	48.0	55.0	66.9	77.4	94.1
Compressor	Type / Quantity		Scroll / 2	Scroll / 2	Scroll / 2	Scroll / 2	Scroll / 2
	Brand		Copeland	Copeland	Copeland	Danfoss	Danfoss
Indoor fan	Type / Drive type		Centrifugal / Belt	Centrifugal / Belt	Centrifugal / Belt	Centrifugal / Belt	Centrifugal / Belt
Outdoor fan	Type / Drive type		Axial / Direct	Axial / Direct	Axial / Direct	Axial / Direct	Axial / Direct
Wired controller			KJR-12B/dP(T)-E	KJR-12B/dP(T)-E	KJR-12B/dP(T)-E	KJR-12B/dP(T)-E	KJR-12B/dP(T)-E
Centralized controller			Yes	Yes	Yes	Yes	Yes
Sound pressure level		dB(A)	75.5	75.0	75.3	76.8	77.9
Ambient temperature			10°C - 52°C	10°C - 52°C	10°C - 52°C	10°C - 52°C	10°C - 52°C
Dimension	Net (WxHxD)	mm	1,965x1,230x1,130	1,670x1,247x2,192	1,670x1,247x2,192	2,320x1,245x2,220	2,320x1,245x2,220
	Packing (WxHxD)	mm	1,995x1,255x1,160	1,695x1,284x2,212	1,695x1,284x2,212	2,330x1,275x2,230	2,330x1,275x2,230
Weight	Net / Gross	kg	470/490	590/620	670/700	895/925	910/940

Notes:

- Cooling capacity test condition (1): Outdoor ambient temperature: 35°C, indoor temperature 26.7°C DB / 19.4°C WB;
Cooling capacity test condition (2): Outdoor ambient temperature: 46.1°C, indoor temperature 26.7°C DB / 19.4°C WB;
- Units are suitable for operation to $\pm 20\%$ of nominal CFM;
- Sound values are measured in a semi-anechoic room, at a position 1 meter in front of the unit and (1 meter+Height of unit)/2 above the floor.
- Specifications are subject to change without prior notice for product improvement.
- * Nominal ton only for reference.
- Cooling or heating capacity as per specifications.

Specifications

Tropical (T3) application, 220V 3Ph~ 60Hz



Nominal ton*			7.5	10	15	20	25
Model			MRCT-075CWN1-D(C)	MRCT-100CWN1-D(C)	MRCT-150CWN1-D(C)	MRCT-200CWN1-D(C)	MRCT-250CWN1-D(C)
Cooling	Capacity (1)	Btu/h	89,000	120,000	180,000	240,000	300,000
		W	26,100	35,200	52,800	70,300	87,900
	Input (1)	W	7,800	10,700	16,200	21,900	27,800
	EER (1)	Btu/h.W	11.4	11.2	11.1	11.0	10.8
	Capacity (2)	Btu/h	69,600	100,200	146,000	200,500	251,700
		W	20,400	29,370	42,790	58,760	73,770
Input (2)	W	8,600	12,500	18,500	25,200	37,900	
EER (2)	Btu/h.W	8.1	8.0	7.9	8.0	6.6	
Air flow	Indoor side	CFM	2,700	4,120	6,450	8,580	11,138
External static pressure	Pa	Default: 80; 0 - 250	Default: 90; 0 - 250	Default: 110; 0 - 300	Default: 120; 0 - 375	Default: 250; 125 - 450	
Max. power input	W	11,300	17,500	25,000	36,000	45,000	
Max. current	A	42.4	57.4	88.3	124.6	150.0	
Compressor	Type / Quantity	Scroll / 1	Scroll / 1	Scroll / 2	Scroll / 2	Scroll / 2	
	Brand	Copeland	Copeland	Copeland	Copeland	Copeland	
Indoor fan	Type / Drive type	Centrifugal / Direct	Centrifugal / Belt	Centrifugal / Belt	Centrifugal / Belt	Centrifugal / Belt	
Outdoor fan	Type / Drive type	Axial / Direct	Axial / Direct	Axial / Direct	Axial / Direct	Axial / Direct	
Wired controller		KJR-25B	KJR-12B/dP(T)-E	KJR-12B/dP(T)-E	KJR-12B/dP(T)-E	KJR-12B/dP(T)-E	
Centralized controller (Optional)		Yes	Yes	Yes	Yes	Yes	
Sound pressure level	dB(A)	75.6	75.7	76.8	78.3	79.2	
Ambient temperature		10°C - 52°C	10°C - 52°C	10°C - 52°C	10°C - 52°C	10°C - 52°C	
Dimension	Net (WxHxD)	mm	1,475x840x1,130	1,483x1,231x1,138	1,965x1,230x1,130	1,670x1,247x2,192	2,320x1,245x2,220
	Packing (WxHxD)	mm	1,495x870x1,150	1,500x1,255x1,155	1,995x1,255x1,160	1,695x1,284x2,212	2,330x1,275x2,230
Weight	Net / Gross	kg	235/240	325/335	470/485	670/700	895/925

Notes:

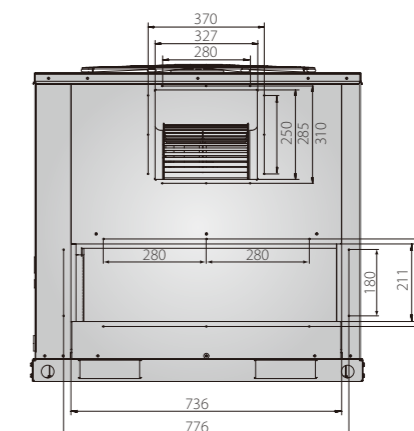
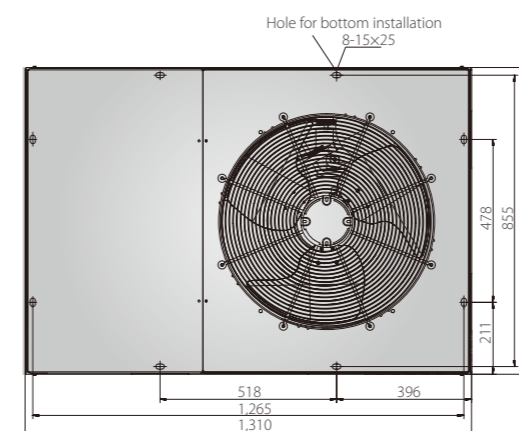
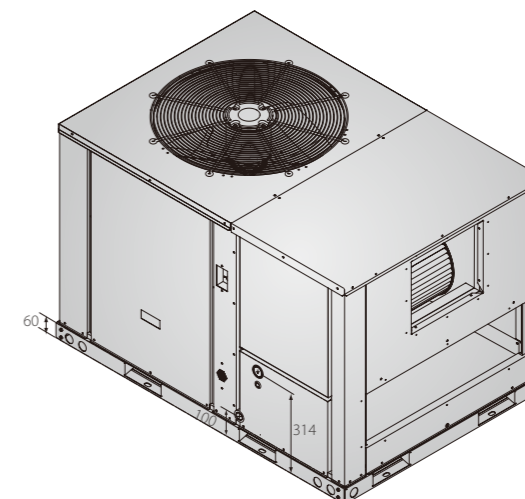
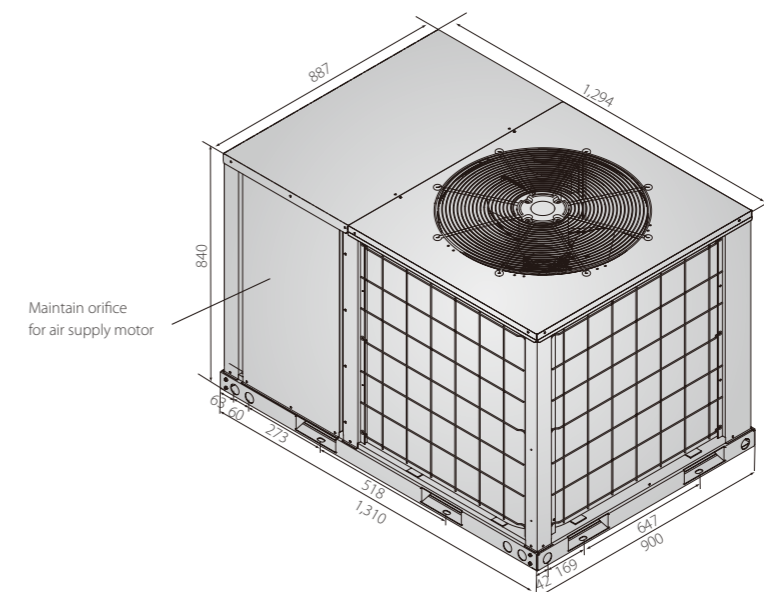
- Cooling capacity test condition (1): Outdoor ambient temperature: 35°C, indoor temperature 26.7°C DB / 19.4°C WB;
Cooling capacity test condition (2): Outdoor ambient temperature: 46.1°C, indoor temperature 26.7°C DB / 19.4°C WB;
- Units are suitable for operation to ±20% of nominal CFM;
- Sound values are measured in a semi-anechoic room, at a position 1m in front of the unit and (1 meter + height of unit)/2 above the floor.
- Specifications are subject to change without prior notice for product improvement.
- * Nominal ton only for reference.
- Cooling or heating capacity as per specifications.

Dimensions

ClimaCreator series

Tropical (T3) 50Hz application: MRCT-48CWN1-R(C), MRCT-60CWN1-R(C)

(Units: mm)



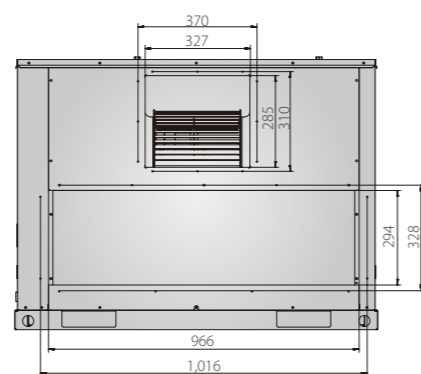
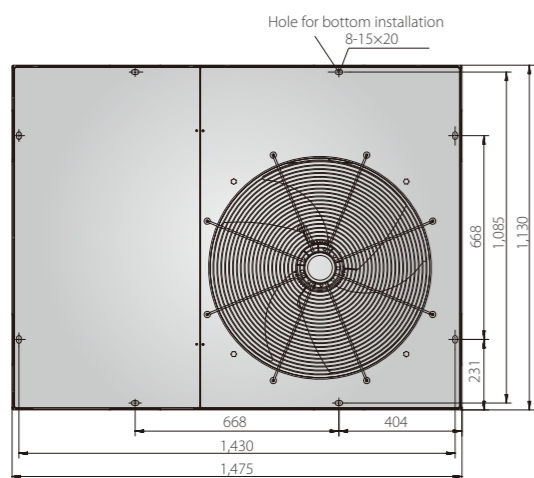
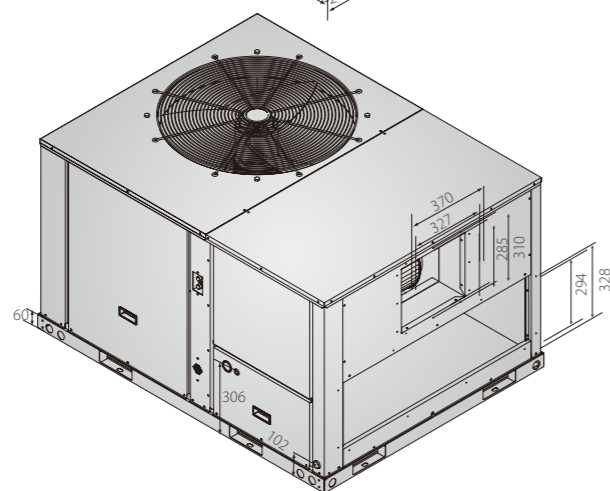
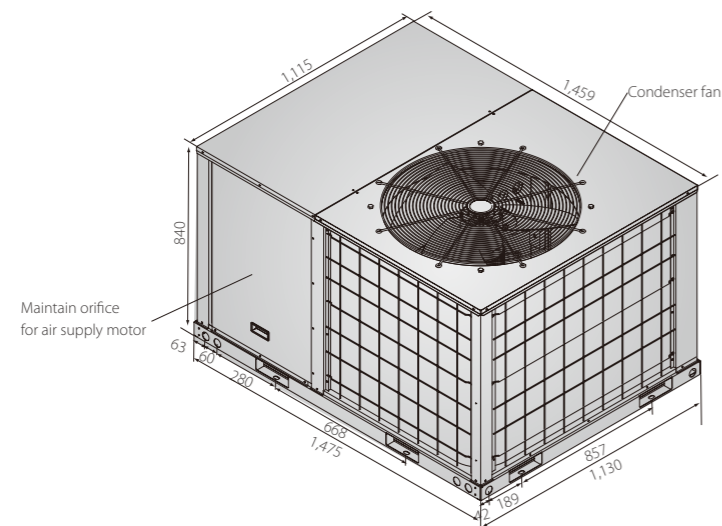
ClimaCreator series

T1 50Hz application: MRC-062HWN1-R(C), MRC-075HWN1-R(C)

Tropical (T3) 50Hz application: MRCT-062CWN1-R(C), MRCT-075CWN1-R(C)

Tropical (T3) 60Hz application: MRCT-075CWN1-D(C)

(Units: mm)



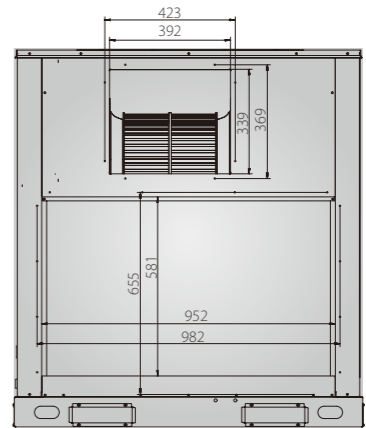
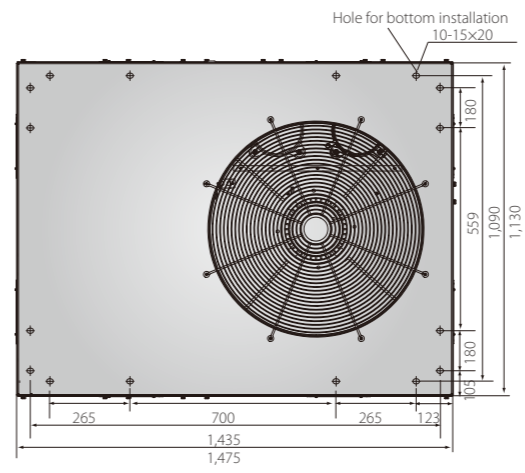
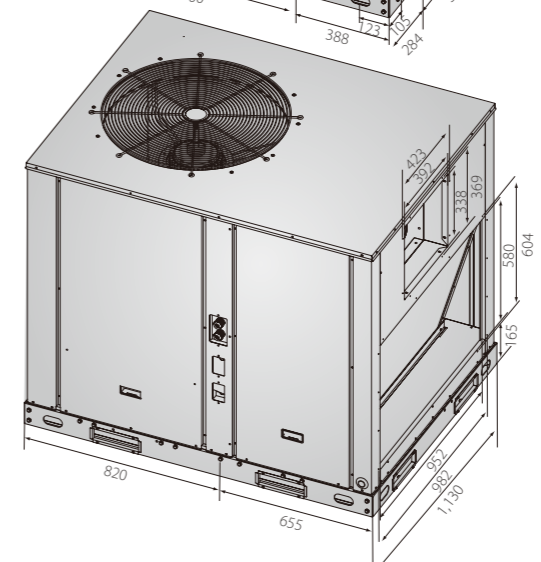
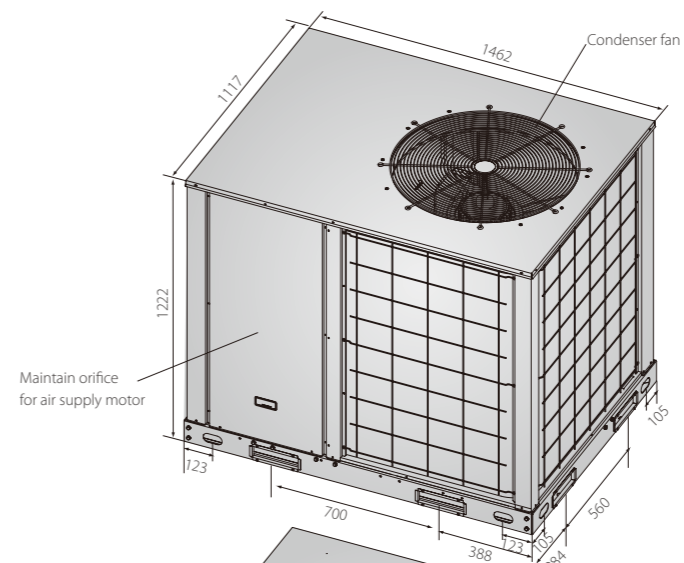
ClimaCreator series

T1 50Hz application: MRC-085HWN1-R(C), MRC-100HWN1-R(C)

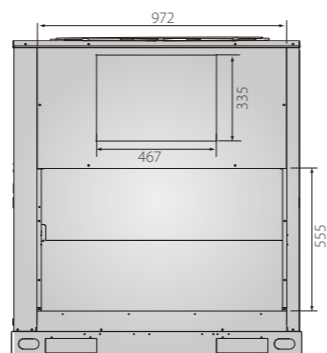
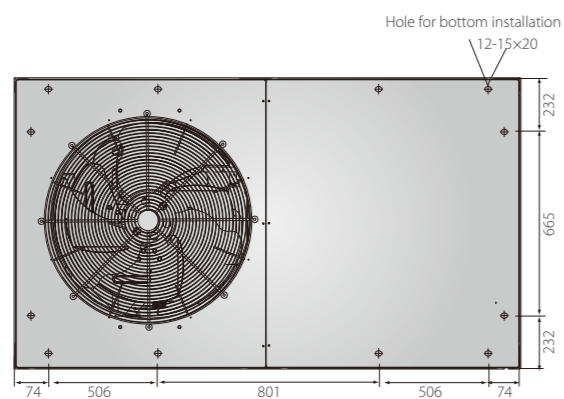
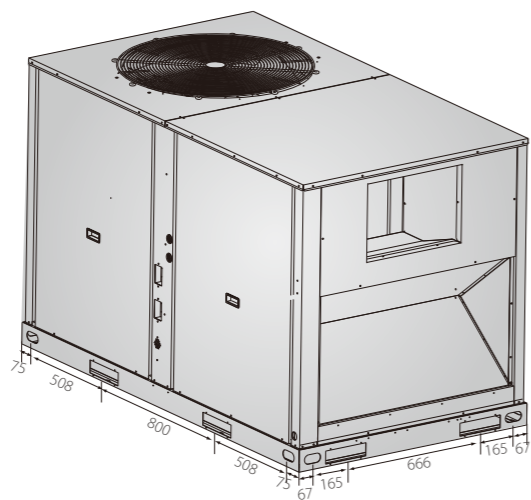
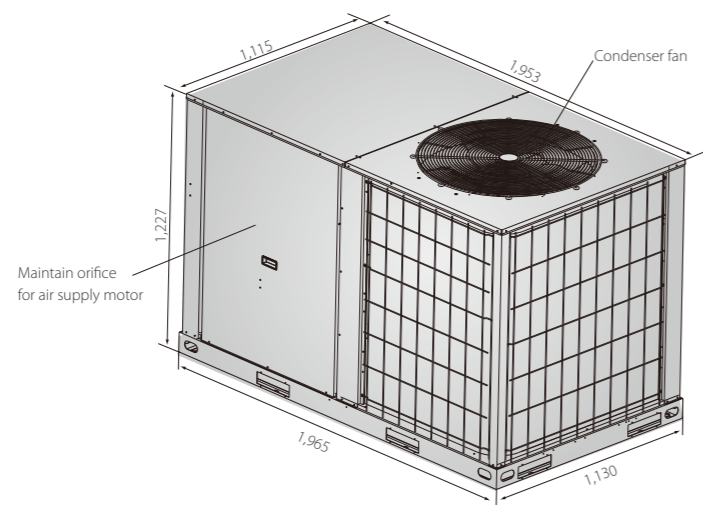
Tropical (T3) 50Hz application: MRCT-085CWN1-R(C), MRCT-085CWN1-R(D), MRCT-100CWN1-R(C), MRCT-100CWN1-R(D)

Tropical (T3) 60Hz application: MRCT-100CWN1-D(C)

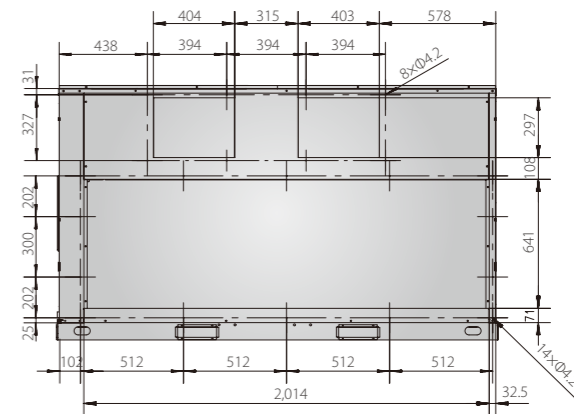
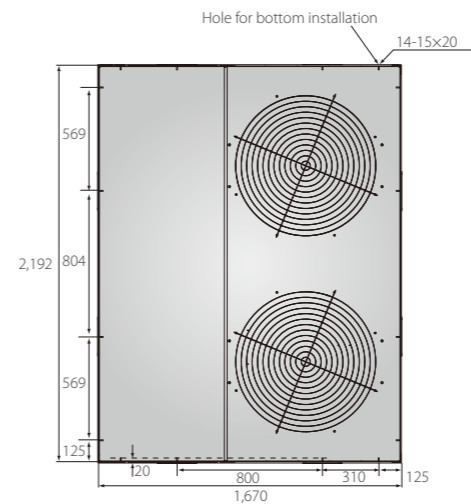
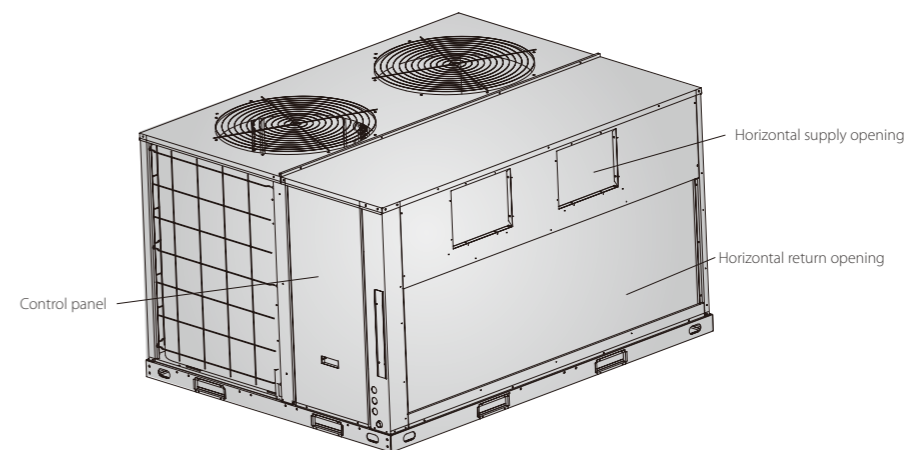
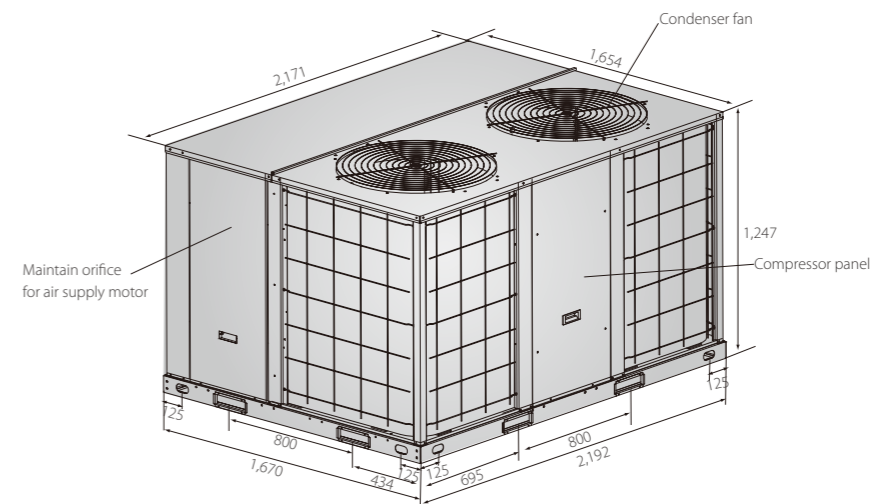
(Units: mm)



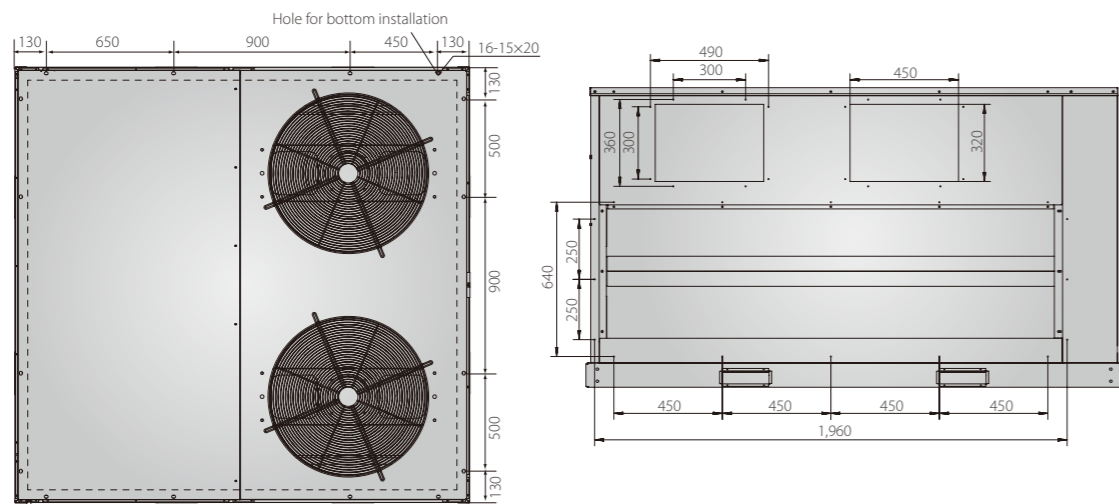
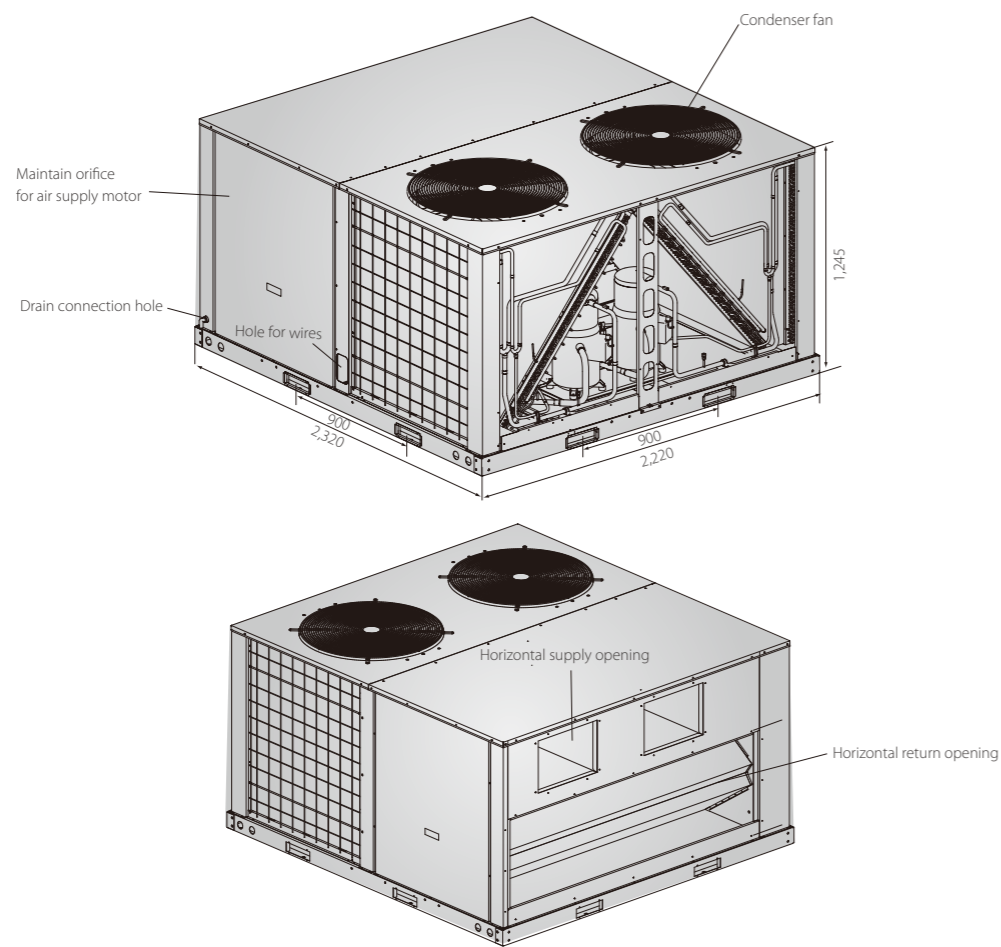
ClimaCreator series
 T1 50Hz application: MRC-125HWN1-R(C), MRC-150HWN1-R(C)
 Tropical (T3) 50Hz application: MRCT-125CWN1-R(C), MRCT-150CWN1-R(C)
 Tropical (T3) 60Hz application: MRCT-150CWN1-D(C)
 (Units: mm)



ClimaCreator series
 T1 50Hz application: MRC-175HWN1-R(C), MRC-200HWN1-R(C)
 Tropical (T3) 50Hz application: MRCT-175CWN1-R(C), MRCT-200CWN1-R(C)
 Tropical (T3) 60Hz application: MRCT-200CWN1-D(C)
 (Units: mm)





ClimaCreator series
 T1 50Hz application: MRC-250HWN1-R(C), MRC-300HWN1-R(C)
 Tropical (T3) 50Hz application: MRCT-250WN1-R(C) MRCT-300WN1-R(C)
 Tropical (T3) 60Hz application: MRCT-250WN1-D(C)
 (Units: mm)



ClimaMaster Series

Product lineups

T1 Application

Nominal ton*		3	4	5
380-415V, 3Ph~ 50Hz		●	●	●
208 - 230V, 1Ph~, 60Hz		●	●	●

Notes:

- * Nominal ton only for reference.
- means cooling type product; ● means heat pump type product.
- Cooling or heating capacity as per specifications.

Specifications

T1 application, heat pump, 380-415V 3Ph~ 50Hz



Nominal ton*			3	4	5
Model			MRC-36HWN1-R	MRC-48HWN1-R	MRC-60HWN1-R
			Side-discharge	Side-discharge	Side-discharge
Cooling	Capacity	Btu/h	36,000	48,000	58,000
		kW	10.55	14.07	17.29
	Input	kW	3.05	4.79	5.64
	EER	Btu/h.W	11.8	10.0	10.3
Heating	Capacity	Btu/h	37,500	51,500	62,500
		kW	10.99	15.09	18.32
	Input	kW	3.00	4.56	5.21
	COP	Btu/h.W	12.5	11.3	12.0
Air flow	Indoor side	CFM	1,500	1,858	2,045
External static pressure		Pa	50	50	50
Max. power input		kW	4.25	6.05	7.05
Max. current		A	6.4	8.8	10.9
Compressor	Type / Quantity		Scroll / 1	Scroll / 1	Scroll / 1
	Brand		Copeland	Copeland	Copeland
Indoor fan	Type / Drive type		Centrifugal / Direct	Centrifugal / Direct	Centrifugal / Direct
Outdoor fan	Type / Drive type		Axial / Direct	Axial / Direct	Axial / Direct
Wired controller			-	-	-
Centralized controller			No	No	No
Sound pressure level		dB(A)	64.9	67.7	68.8
Ambient temperature			21°C - 43°C	21°C - 43°C	21°C - 43°C
Dimension	Net (WxHxD)		mm	1,116x830x744	1,116x830x744
	Packing (WxHxD)		mm	1,152x855x765	1,152x855x765
Weight		Net / Gross	kg	139/142	146/149

Notes:

- Cooling capacity test condition: Outdoor ambient temperature: 35°C, indoor temperature 26.7°C DB / 19.4°C WB;
- Heating capacity test condition: Outdoor ambient temperature: 7°C DB / 6°C WB, indoor temperature 20°C DB / 15°C WB;
- Sound values are measured in a semi-anechoic room, at a position 1 meter in front of the unit and (1 meter+Height of unit)/2 above the floor.
- Specifications are subject to change without prior notice for product improvement.
- * Nominal ton only for reference.
- Cooling or heating capacity as per specifications.

Specifications

T1 application, 208-230V 1Ph/3Ph~ 60Hz



Nominal ton*			3	4	5	5
Model			MRC-36CWN1-V10(A)	MRC-48CWN1-V10(A)	MRC-60CWN1-V10(A)	MRC-60CWN1-X10(A)
Power supply			208 - 230V 1Ph~ 60Hz	208 - 230V 1Ph~ 60Hz	208 - 230V 1Ph~ 60Hz	208 - 230V 3Ph~ 60Hz
Type			Side-discharge	Side-discharge	Side-discharge	Side-discharge
Cooling	Capacity	Btu/h	36,000	48,000	60,000	60,000
		kW	10.5	14.0	17.6	17.6
	Input	kW	3.6	4.8	6.0	6.0
	EER	Btu/h.W	10.0	10.0	10.0	10.0
Air flow	Indoor side	CFM	1450	1650	1655	1655
External static pressure		Pa	50	50	50	50
Max. power input		kW	4.5	7.5	8.8	7.8
Max. current		A	24.8	41.5	48.4	25.5
Compressor	Type / Quantity		Scroll / 1	Scroll / 1	Scroll / 1	Scroll / 1
	Brand		LG	LG	LG	Copeland
Indoor fan	Type / Drive type		Centrifugal / Direct	Centrifugal / Direct	Centrifugal / Direct	Centrifugal / Direct
Outdoor fan	Type / Drive type		Axial / Direct	Axial / Direct	Axial / Direct	Axial / Direct
Wired controller			-	-	-	-
Centralized controller (Optional)			No	No	No	No
Sound pressure level		dB(A)	64.9	66.4	66.3	67.1
Ambient temperature			21°C - 46°C	21°C - 46°C	21°C - 46°C	21°C - 46°C
Dimension	Net (WxHxD)		mm	1,116x830x744	1,116x830x744	1,116x830x744
	Packing (WxHxD)		mm	1,152x855x765	1,152x855x765	1,152x855x765
Weight		Net / Gross	kg	127/130	142/145	146/149

Notes:

- Cooling capacity test condition: Outdoor ambient temperature: 35°C, indoor temperature 26.7°C DB / 19.4°C WB;
- Sound values are measured in a semi-anechoic room, at a position 1m in front of the unit and (1 meter + height of unit)/2 above the floor.
- Specifications are subject to change without prior notice for product improvement.
- * Nominal ton only for reference.
- Cooling or heating capacity as per specifications.

Dimensions

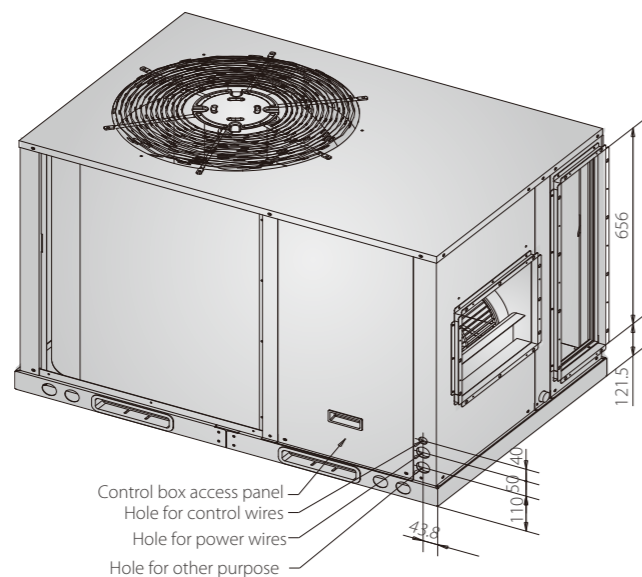
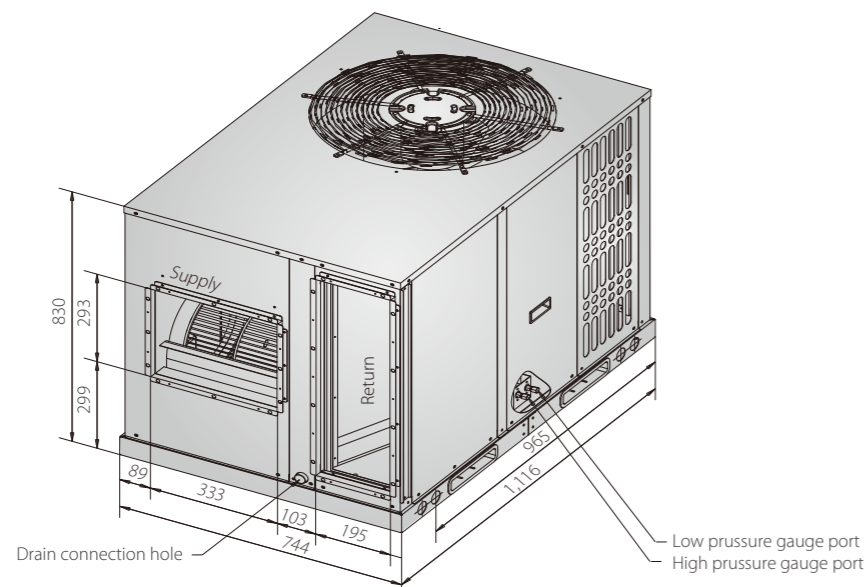
ClimaMaster series

T1 application, 380-415V, 3Ph~, 50Hz: MRC-36HWN1-R, MRC-48HWN1-R, MRC-60HWN1-R

T1 application, 208~230V-1/3Ph~ 60Hz: MRC-36CWN1-V10(A), MRC-48CWN1-V10(A),

MRC-60CWN1-V10(A), MRC-60CWN1-X10(A)

(Units: mm)



Controllers

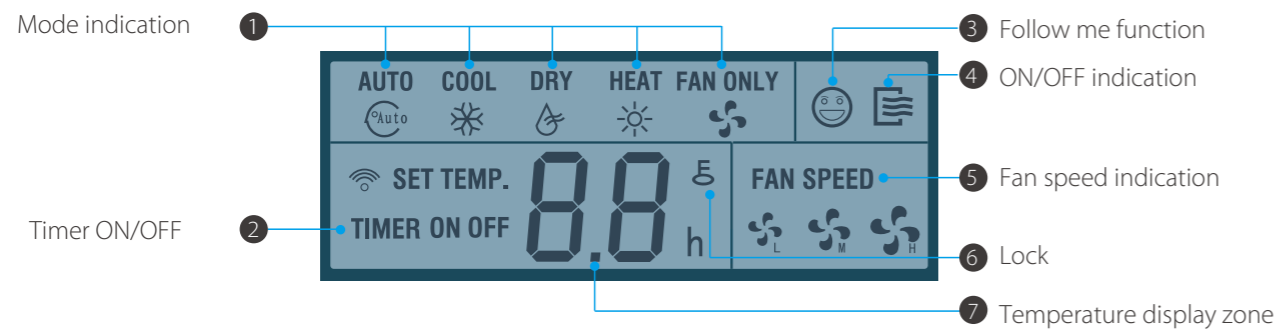


Wired controllers



KJR-12B/dP(T)-E

- ❖ It is easy and convenient to select cooling, heating and fan operation mode.
- ❖ Digital display, setting temperature in 1°C.
- ❖ Controller with Follow Me function, it helps making the room environment comfortable.
- ❖ Daily timer function.



- ❖ 7-minute delay function. The restarted compressor can be delayed for 7 minutes by this controller.
- ❖ Filter-monitor function. When the run-time of operations reaches certain hours, the Filter-change indicator of controller will flash to remind checking the filter of unit.
- ❖ Easy to change °C and °F in site.



KJR-25B



KJR-29B

Centralized controllers

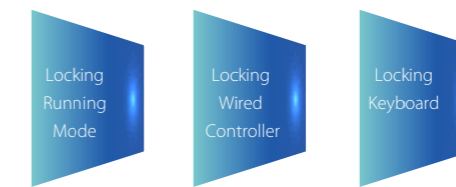


CCM30



MD-NIM01

- ❖ Centralized control function. It is a multifunctional device which is able to control up to 64 units.
- ❖ It provides a superior way to manage the units. Users are able to make their own choice from locking wired controller, running mode or the CCM30's keyboard.



- ❖ The control object can be either single or all, making the controlling operation convenient. It also easy to check all units status.
- ❖ It is able to bridge up to 64 units to the network monitoring system and the building managements system.



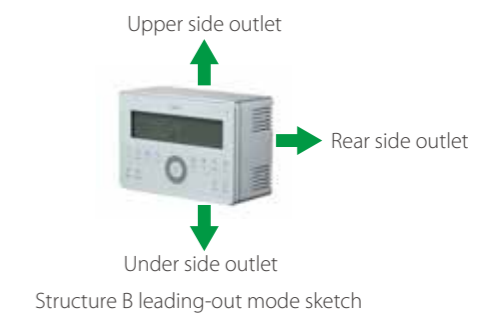
- ❖ Two structures of centralized controller design, easy installation.



Structure A



Structure B



Structure A (Model No. CCM30/BKE-A) should be embedded into the wall and structure B (Model No. CCM30/BKE-B) doesn't need.